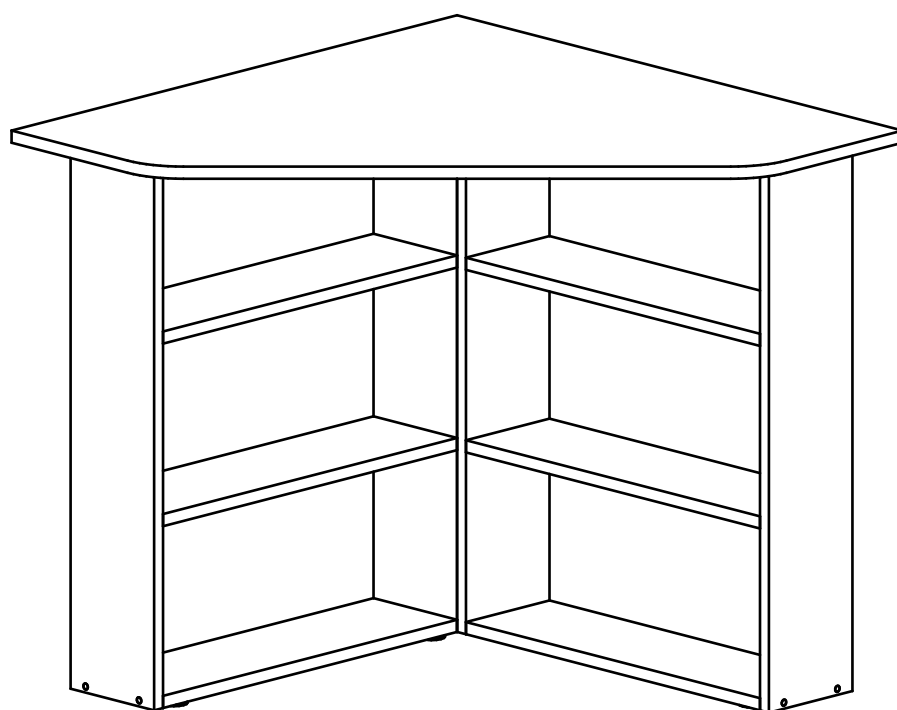
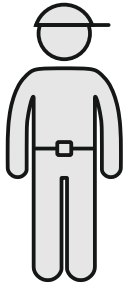


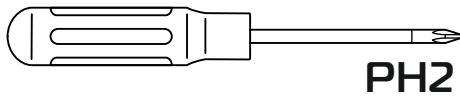
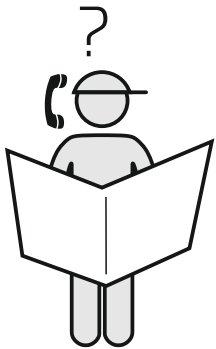
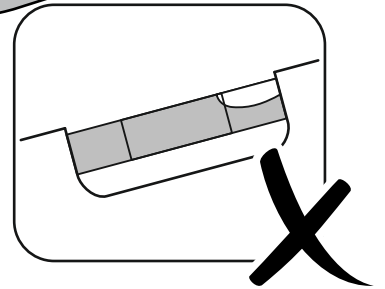
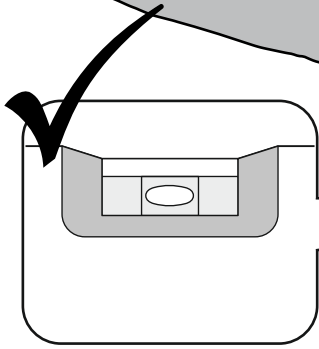
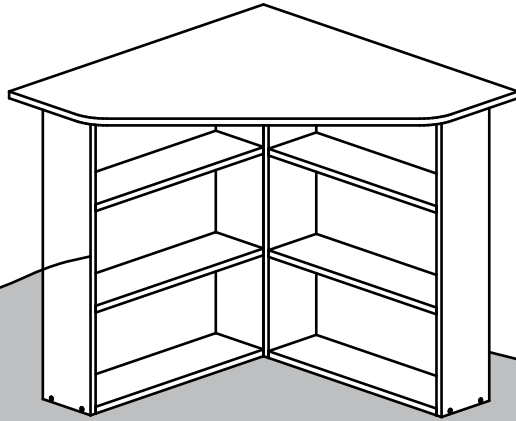
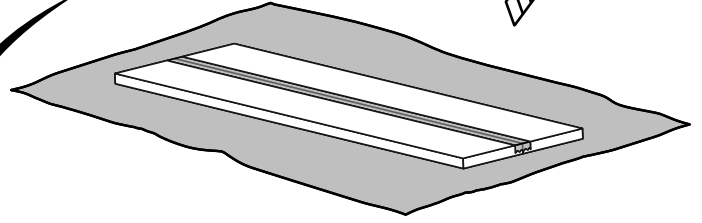
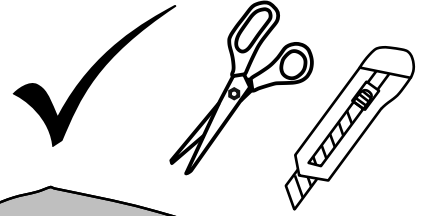
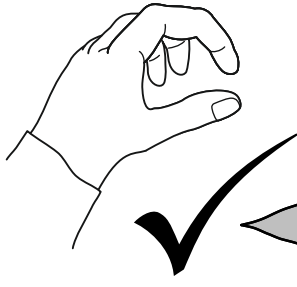
# PNKC-8

# RIKS-8

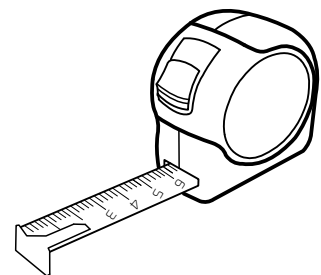
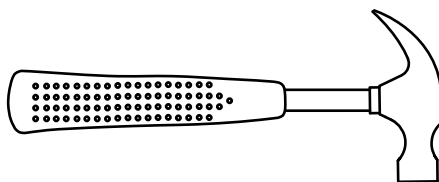
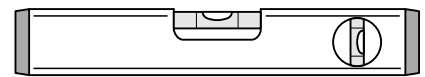


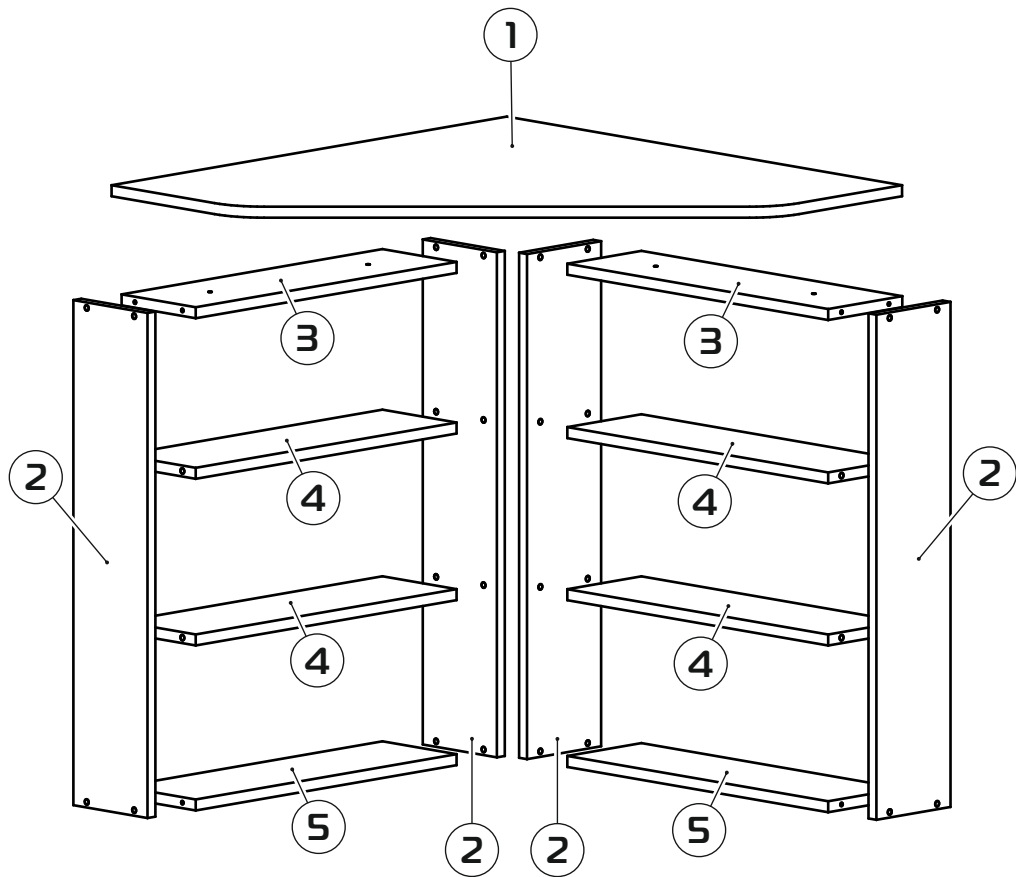


60-90 min



PH2





① 800x800x16 (x1)

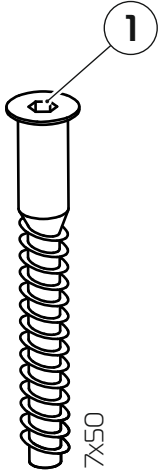
② 150x734x16 (x4)

③ 150x528x16 (x2)

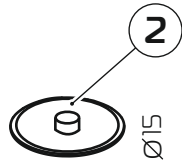
④ 150x528x16 (x4)

⑤ 150x528x16 (x2)

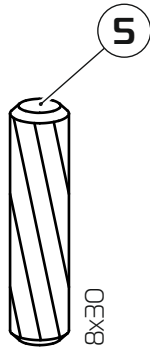
1:1



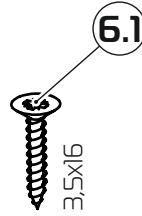
x16



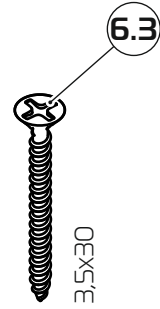
x16



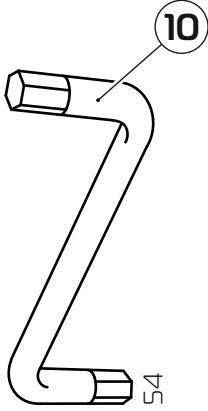
x16



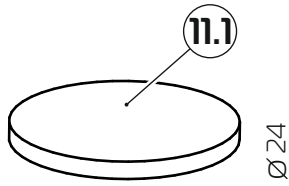
x4



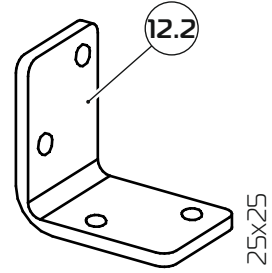
x4



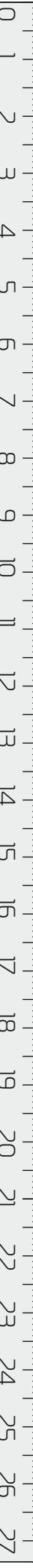
x1



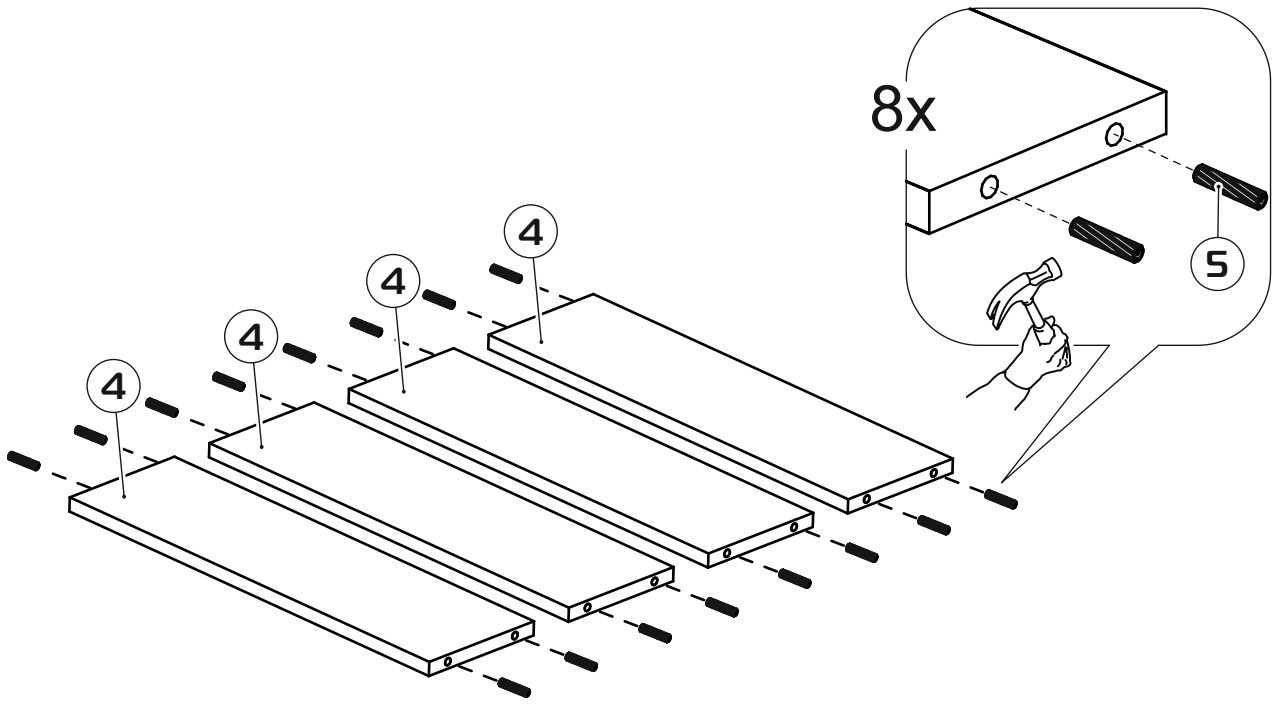
x8



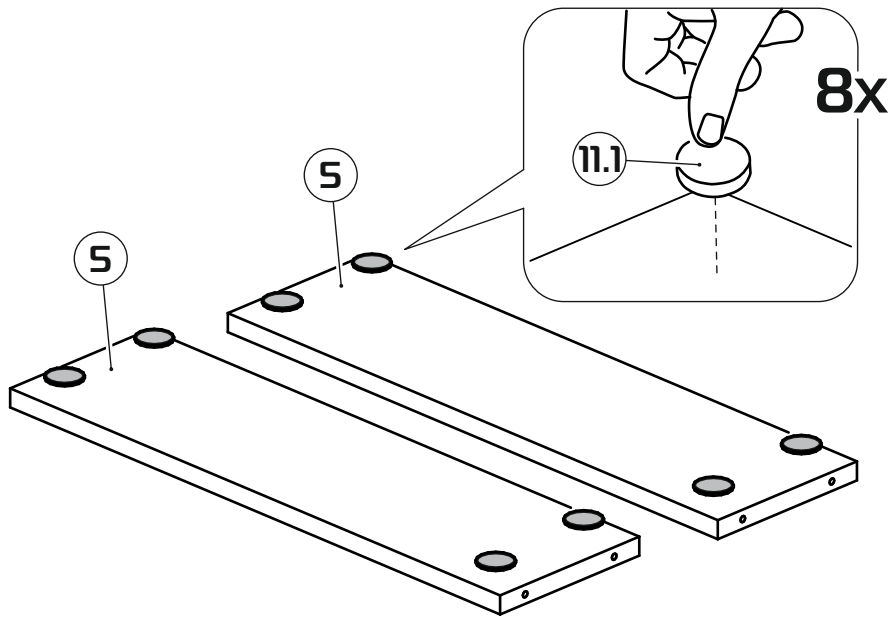
x1



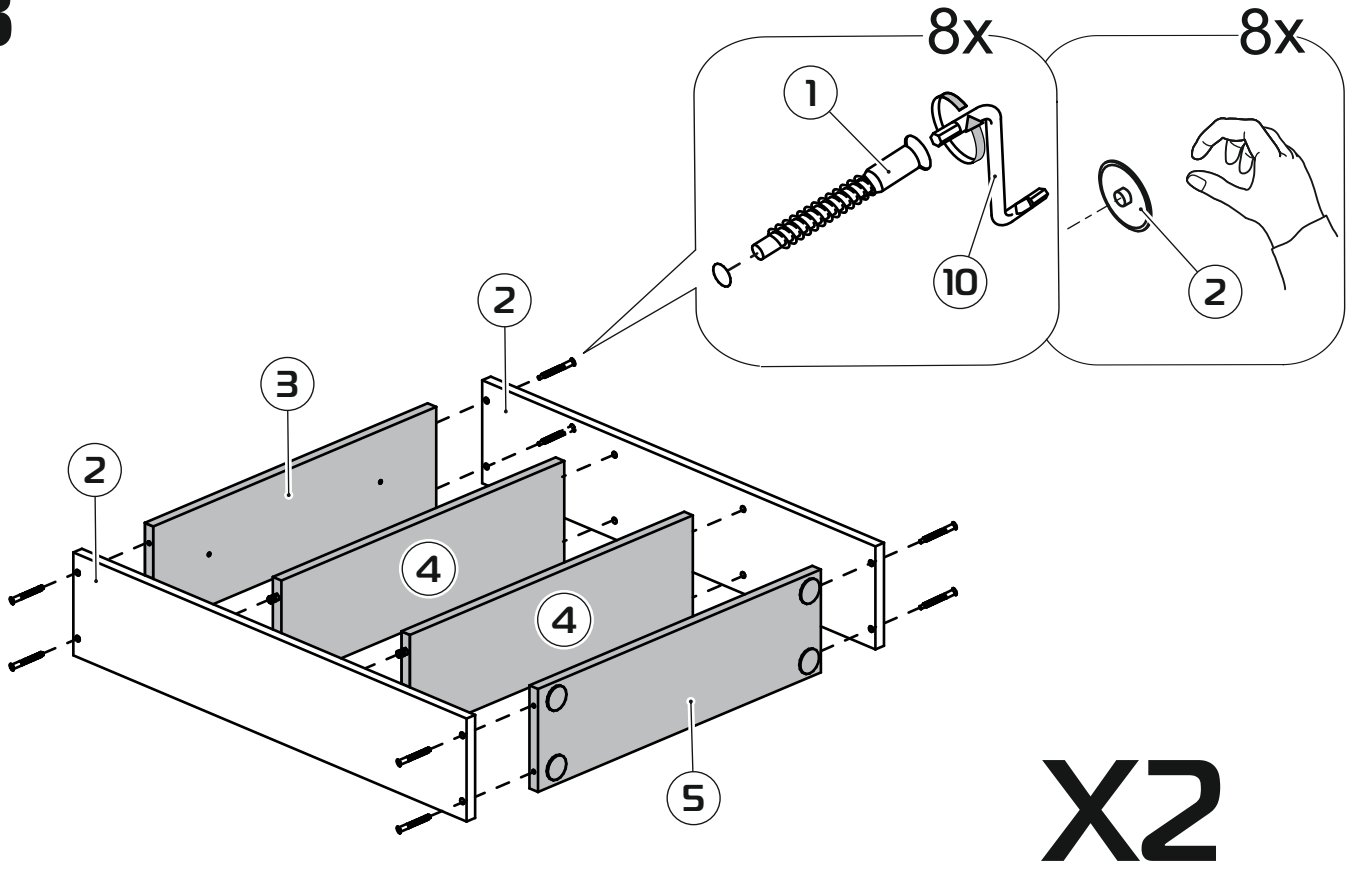
# 1



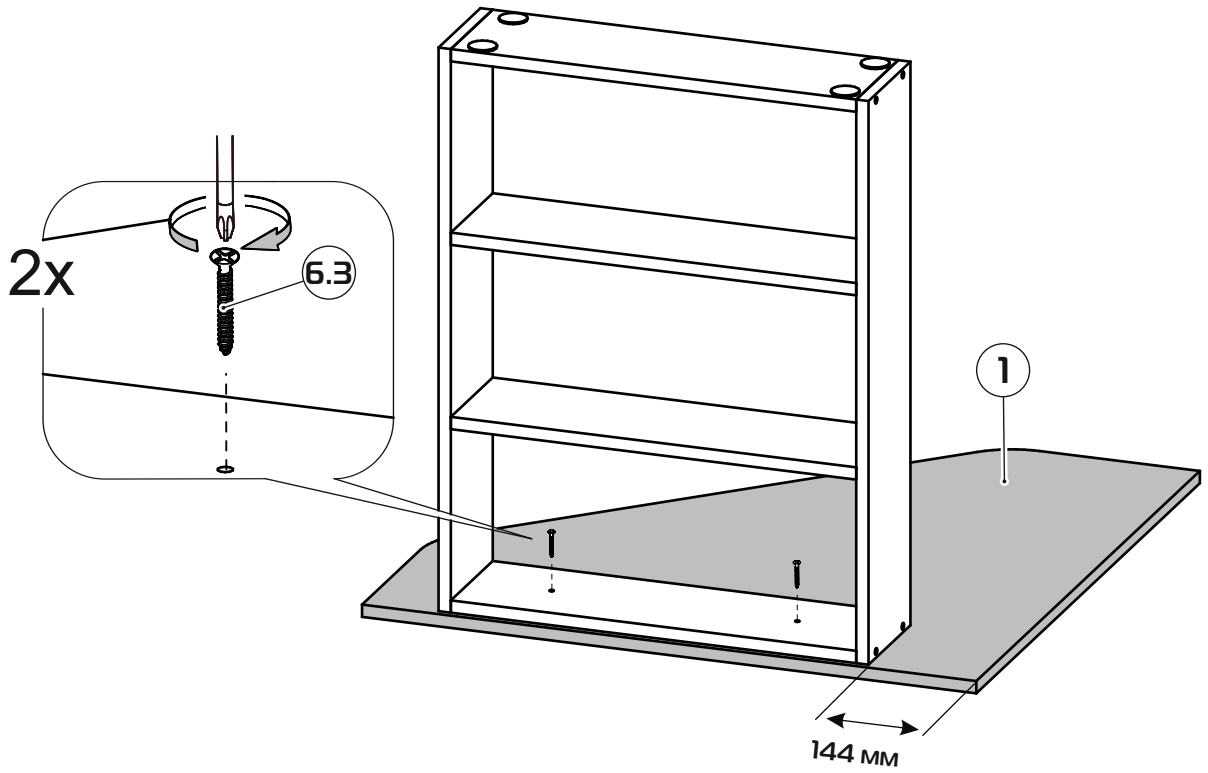
# 2



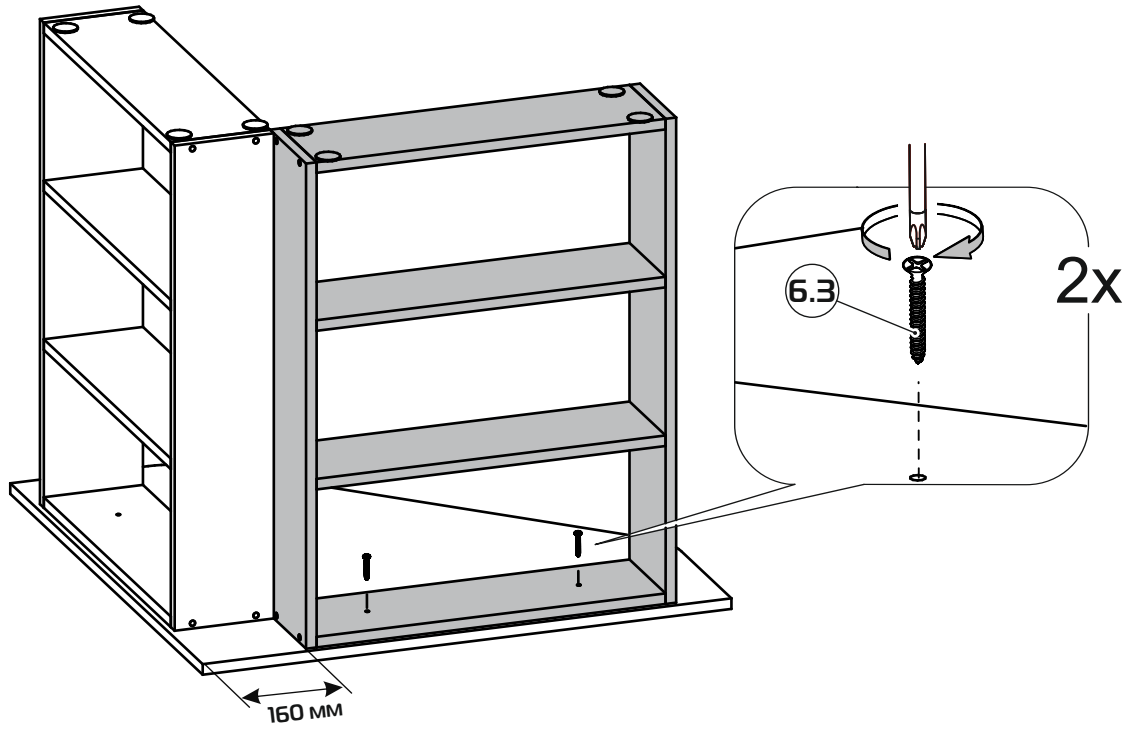
# 3



# 4



5



6

